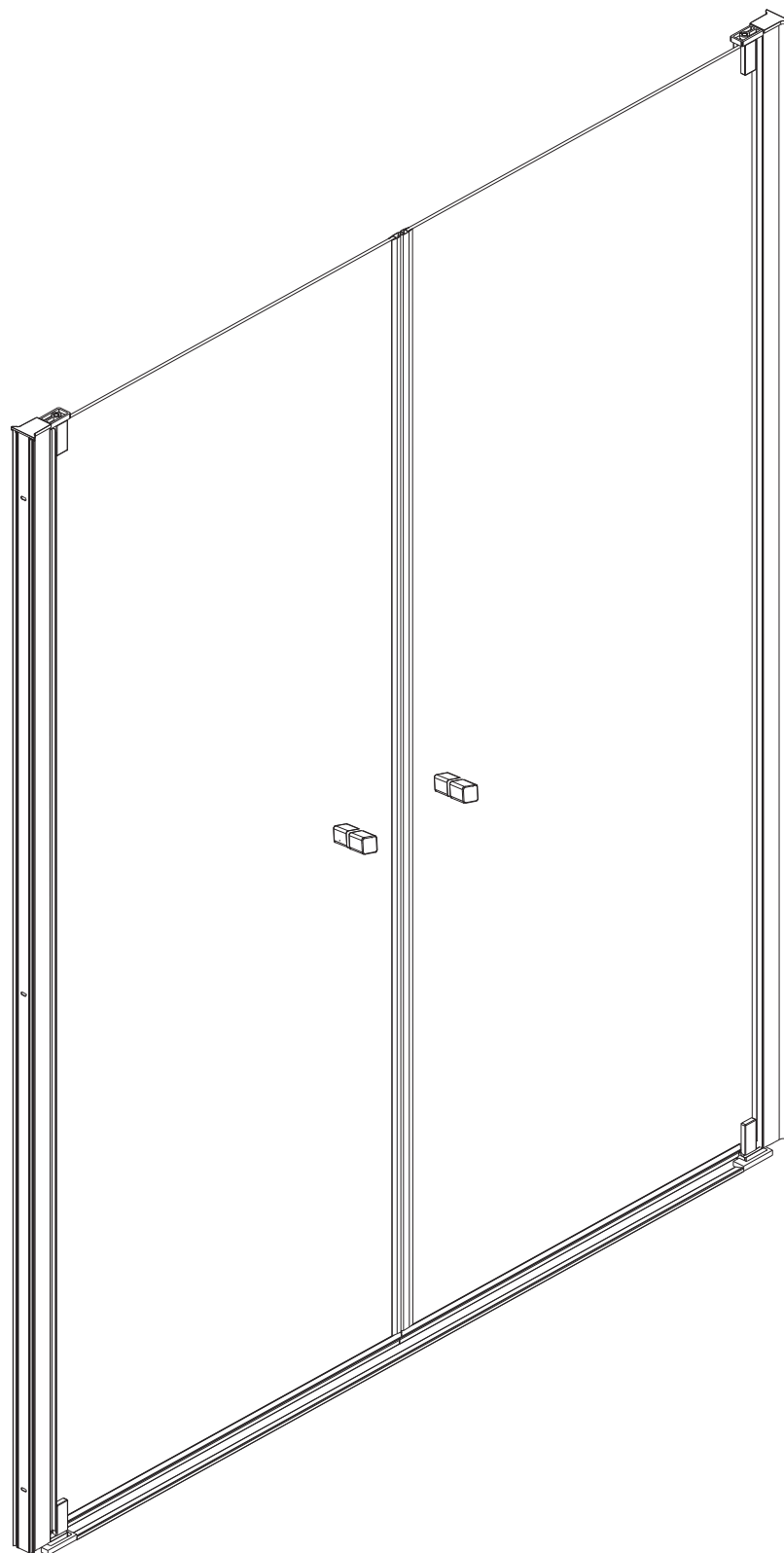
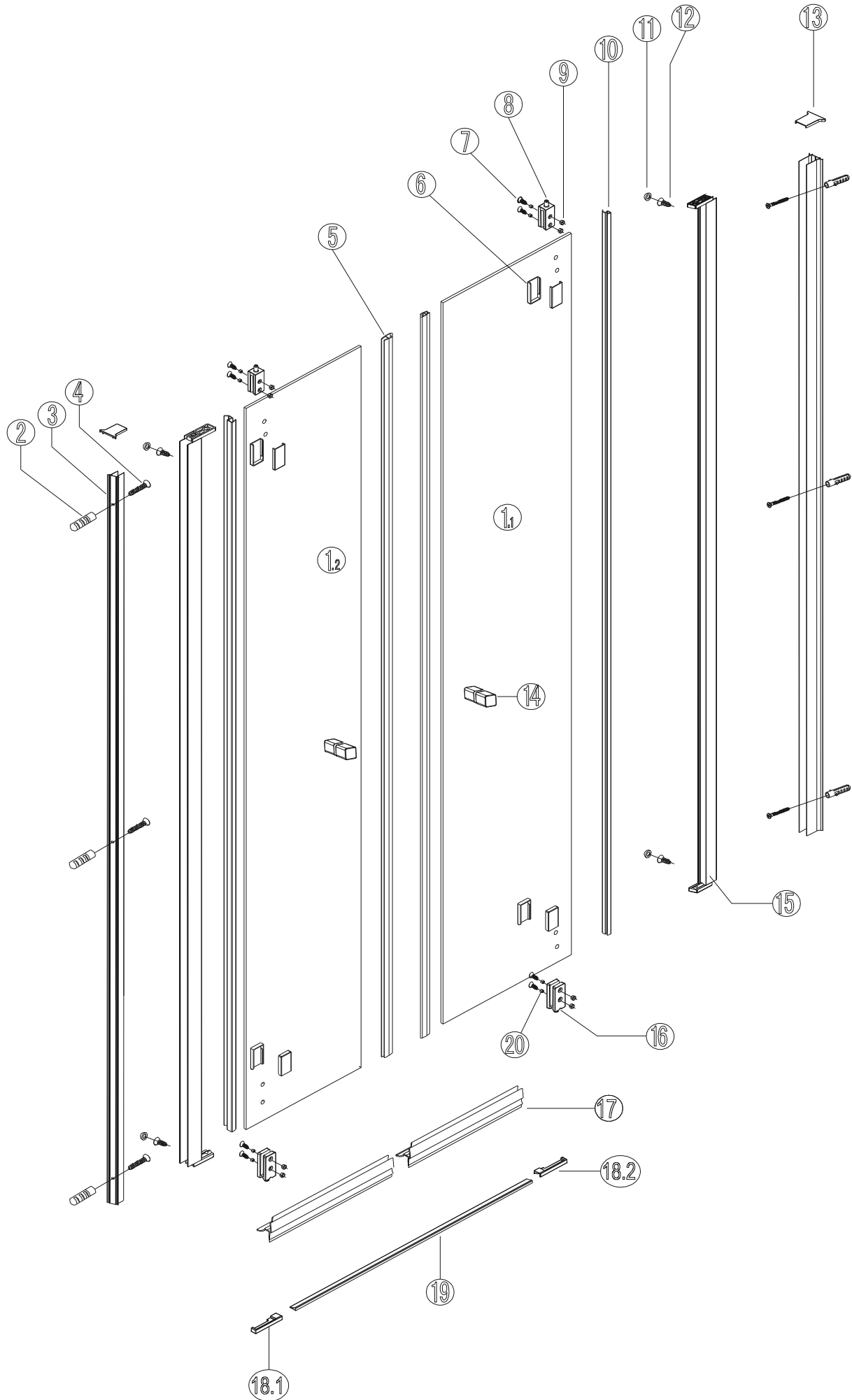
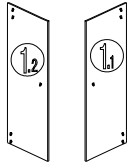
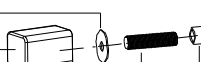
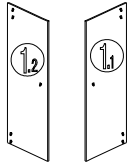
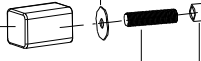
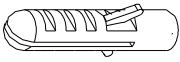
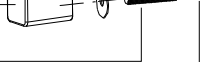
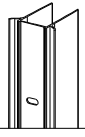
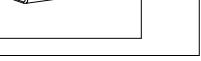
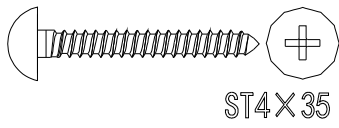

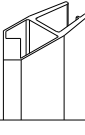

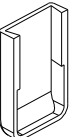
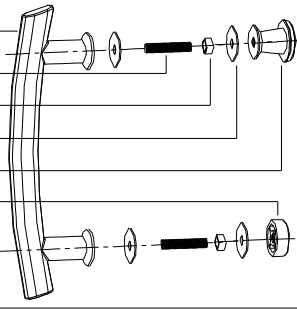

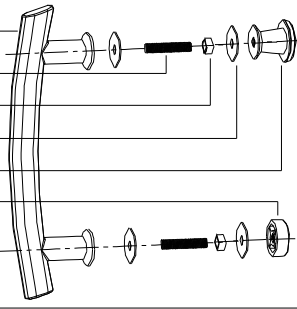
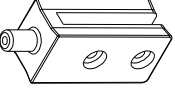
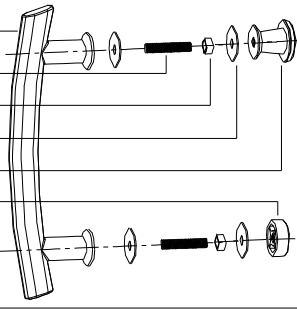
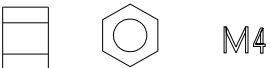
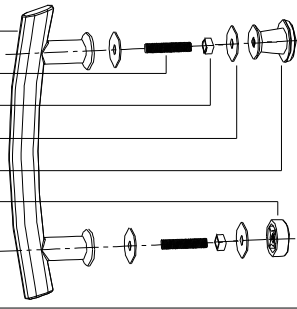
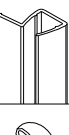
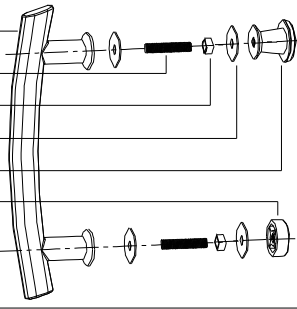

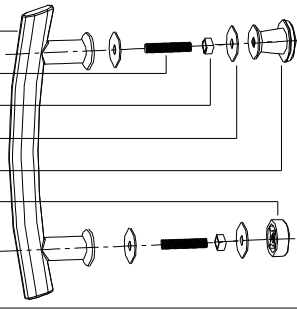

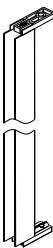
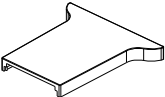

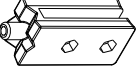

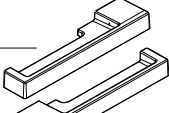
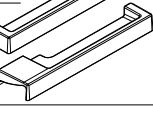
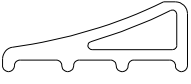


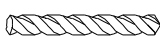


Инструкция по установке

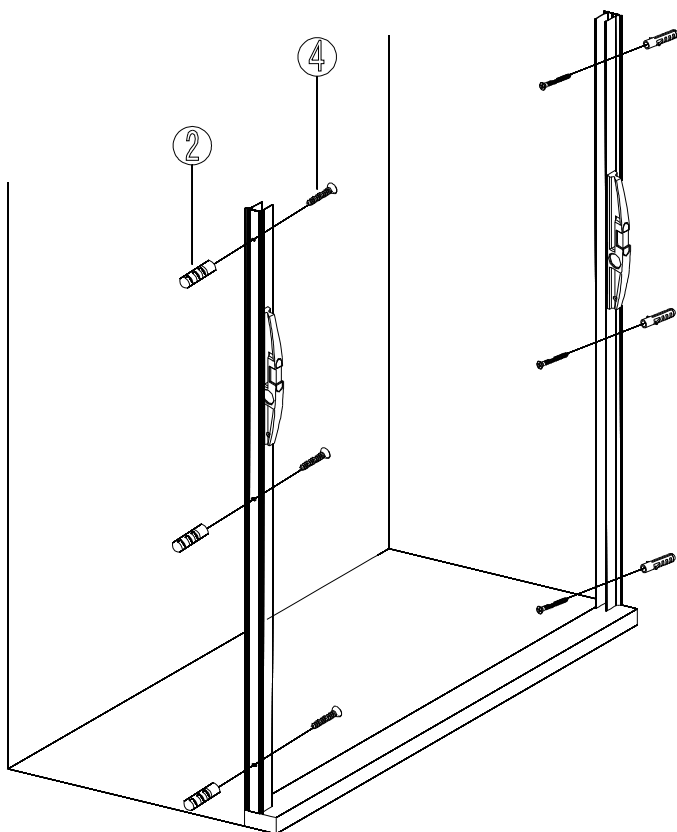
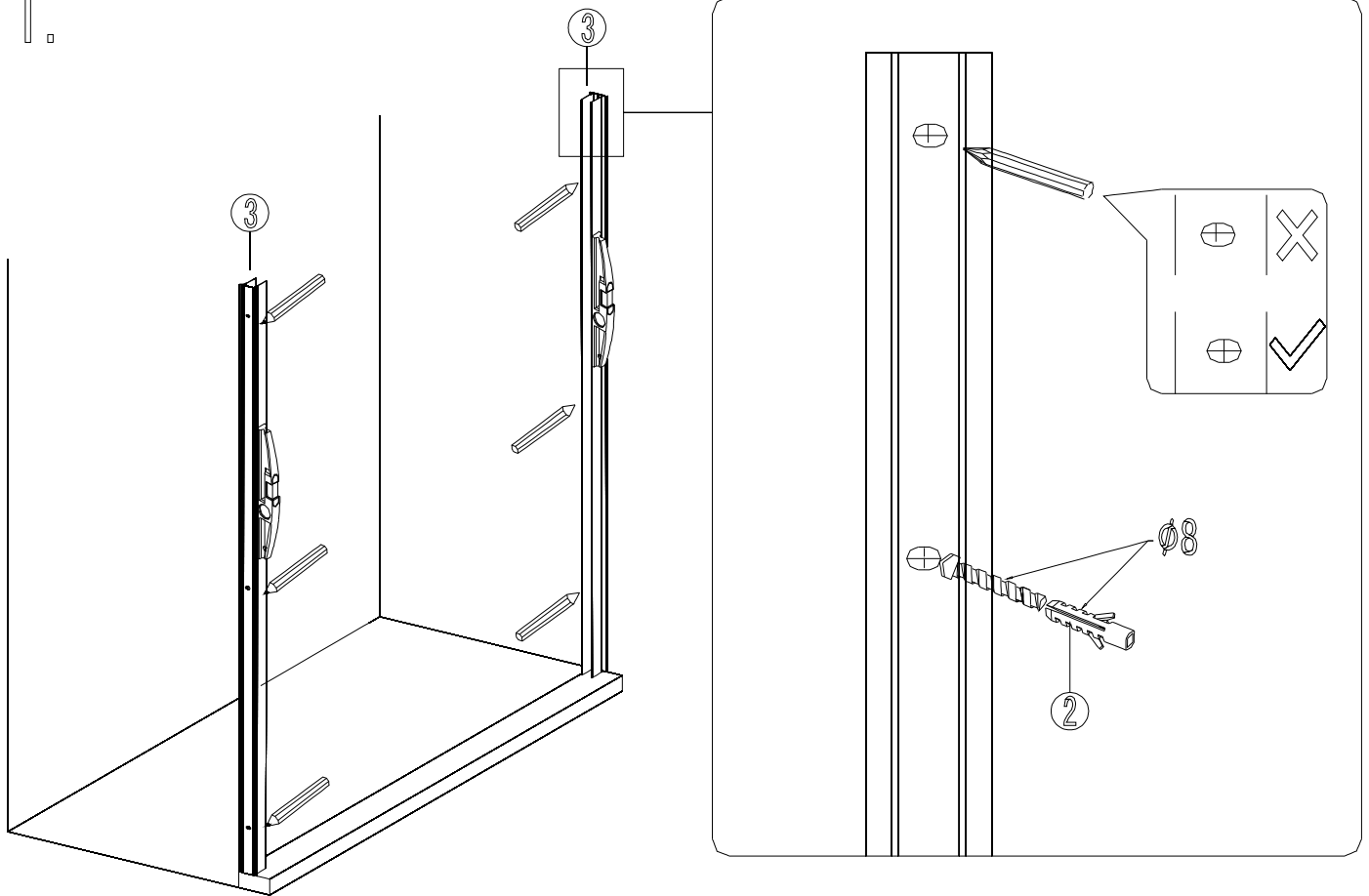
**VN-58**



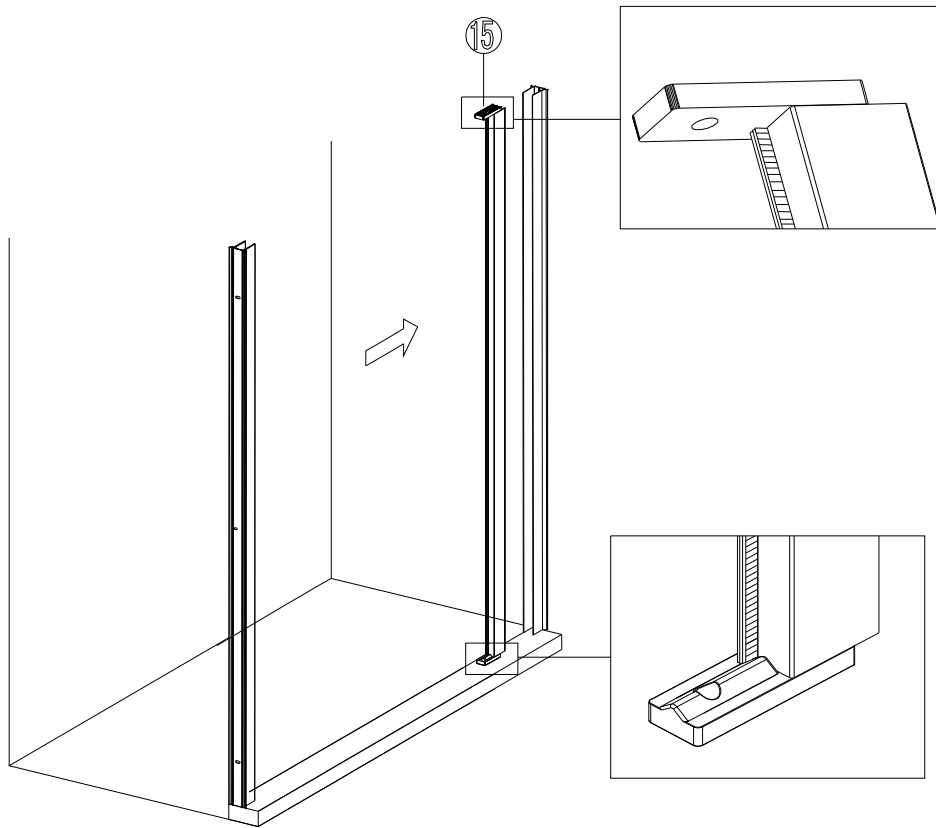


NO.	Designation	Pieces	NO.	Designation	Pieces
1 <sub>1</sub>		X 1	14	A. 1 	X2
1 <sub>2</sub>		X 1		A. 2 	X2
2		X6+1		A. 3 	X1
3		X2		A. 4 	X1
4	 ST4 X 35	X6+1	B. 1 	X1	
5		X2	B. 2 	X1	
6		X8	C. 1 	X1	
7	 M4 X 16	X8+1		C. 2 	X2
8		X2	C. 3 	X2	
9	 M4	X8+1	C. 4 	X4	
10		X2	C. 5 	X1	
11		X4+1	C. 6 	X1	
12	 ST4 X 10	X4+1	15		X1
13		X2			X1
			16		X2
			17		X2
			18.1		X1
			18.2		X1
			19		X1
			20		X8+1
				 Ø8	
				 Ø3.2	

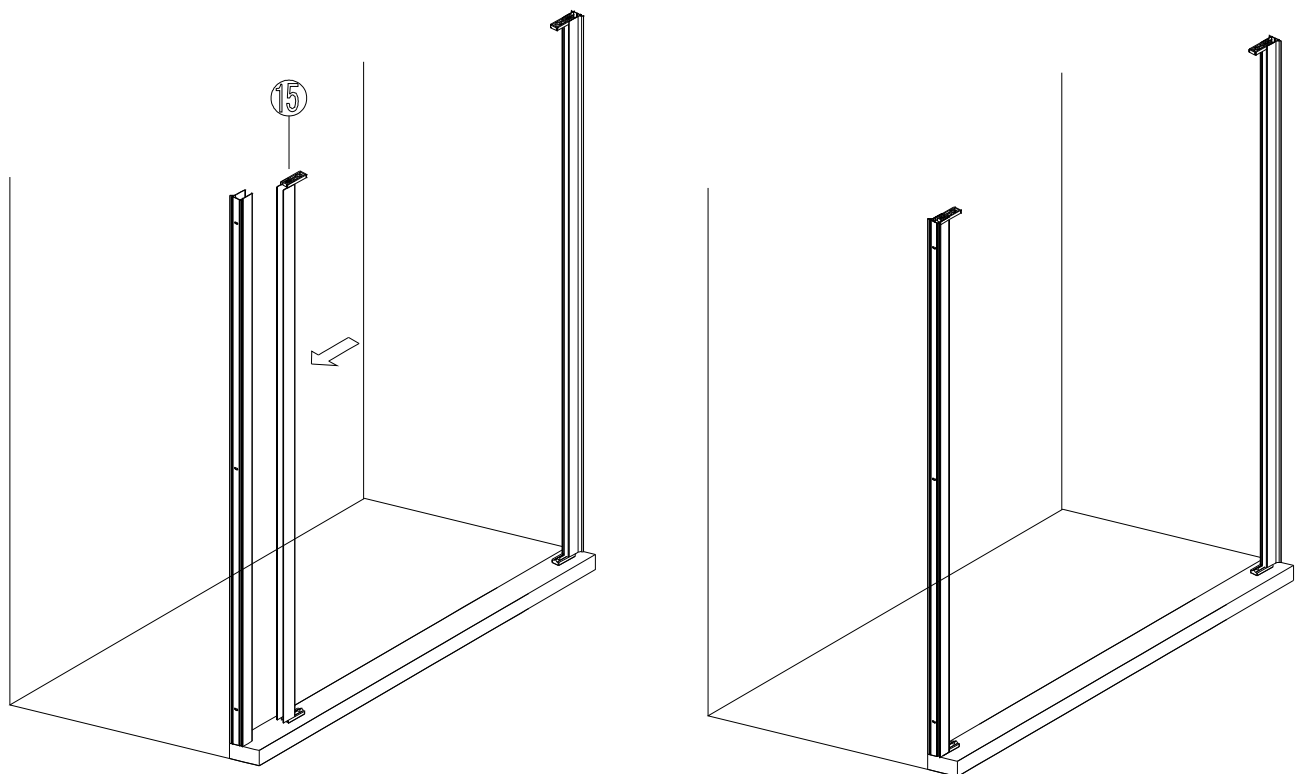
1.



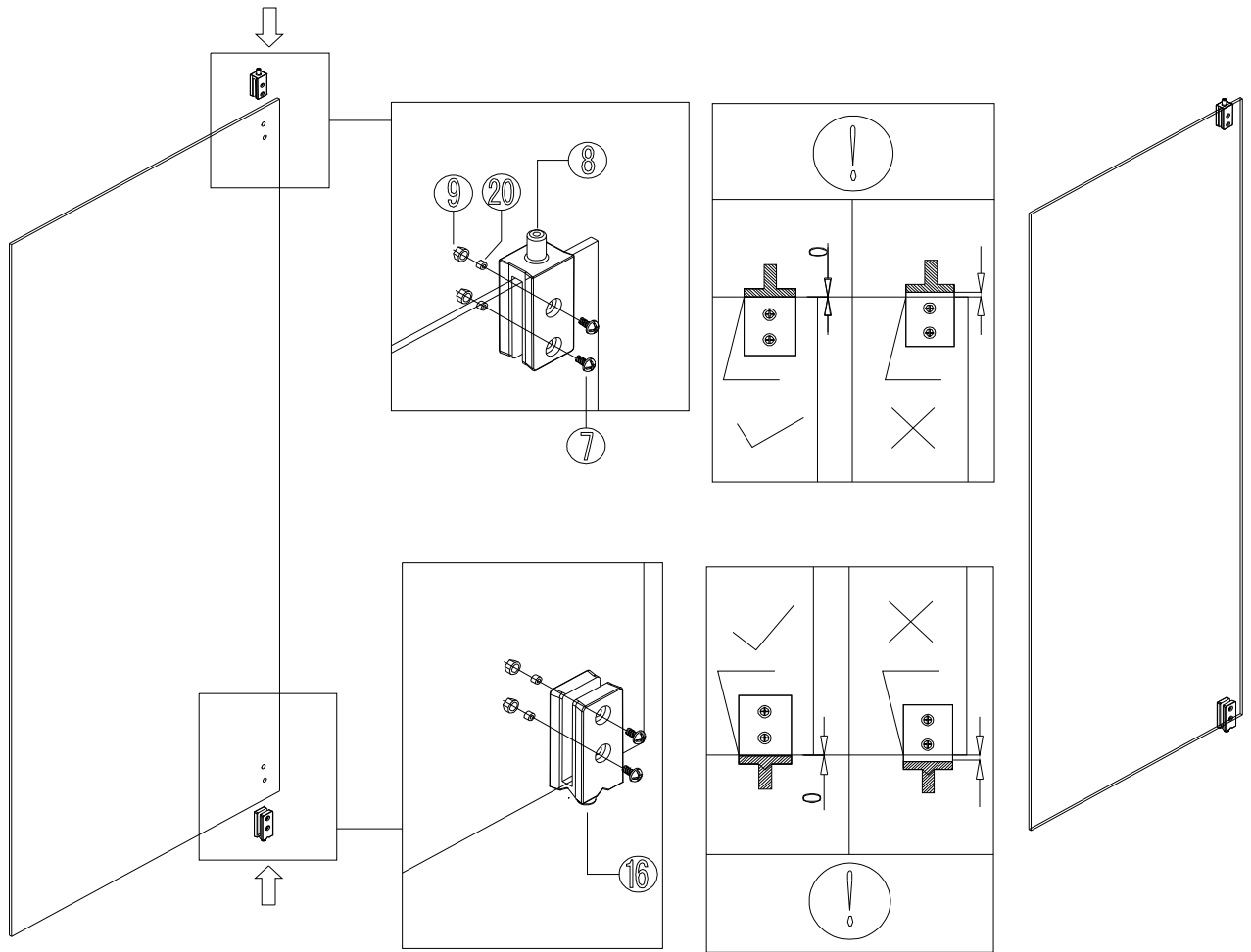
2.



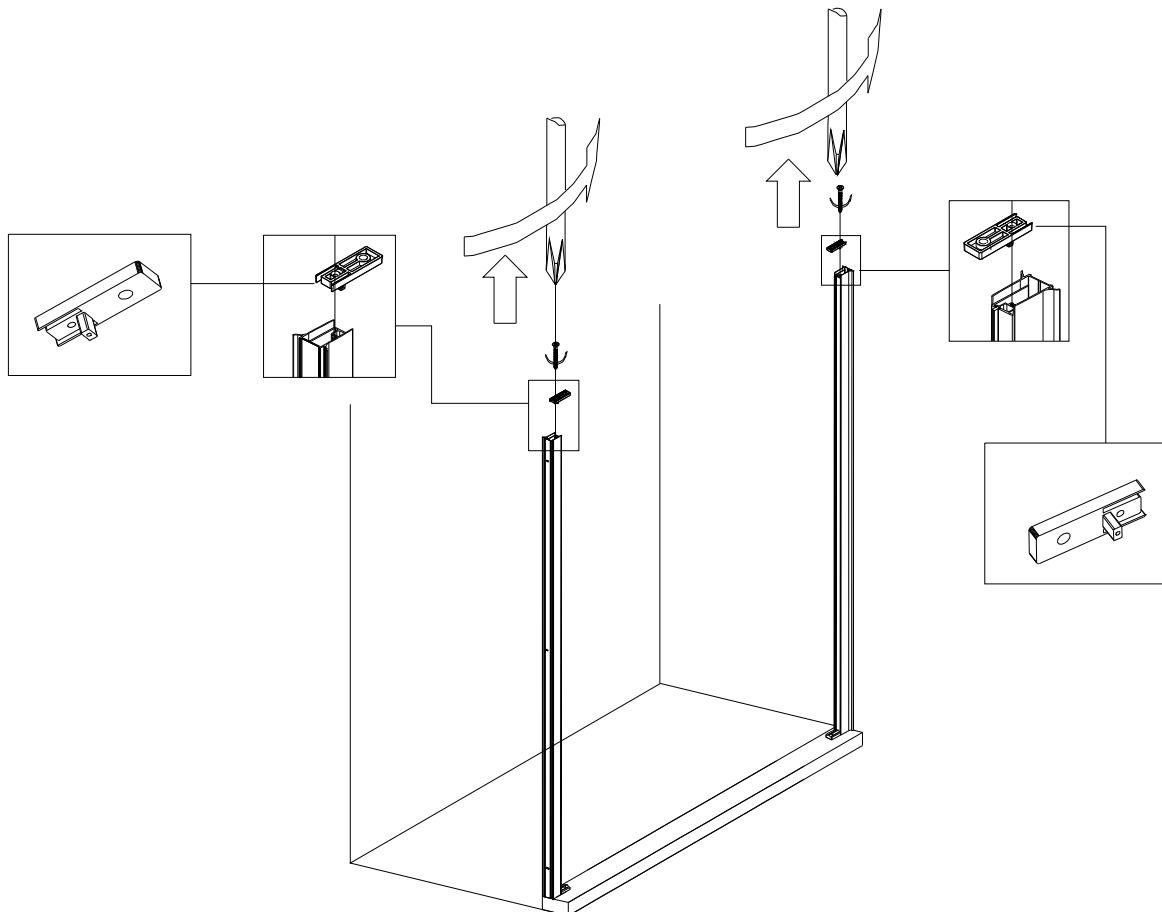
3.



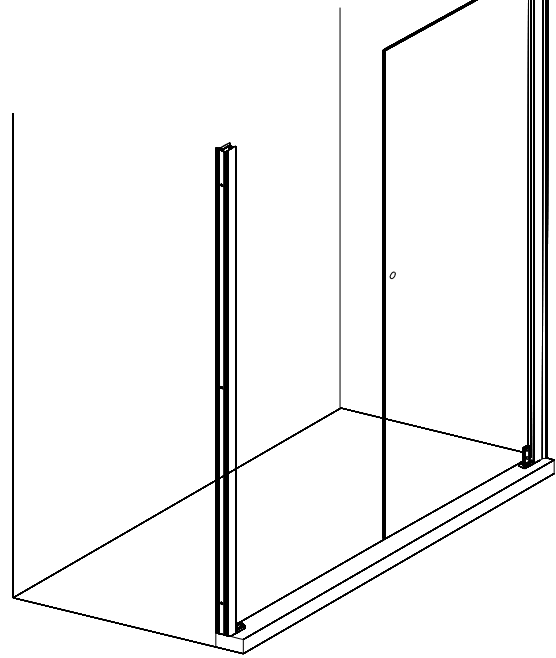
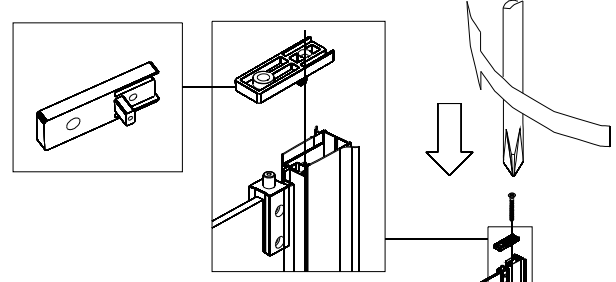
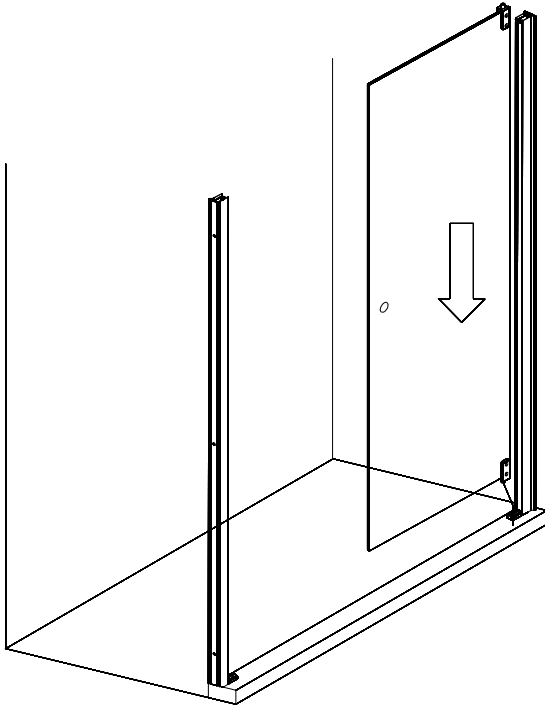
4.



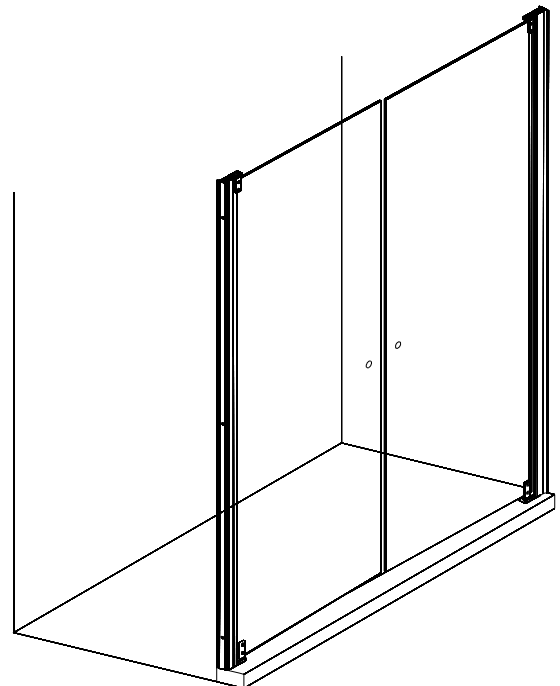
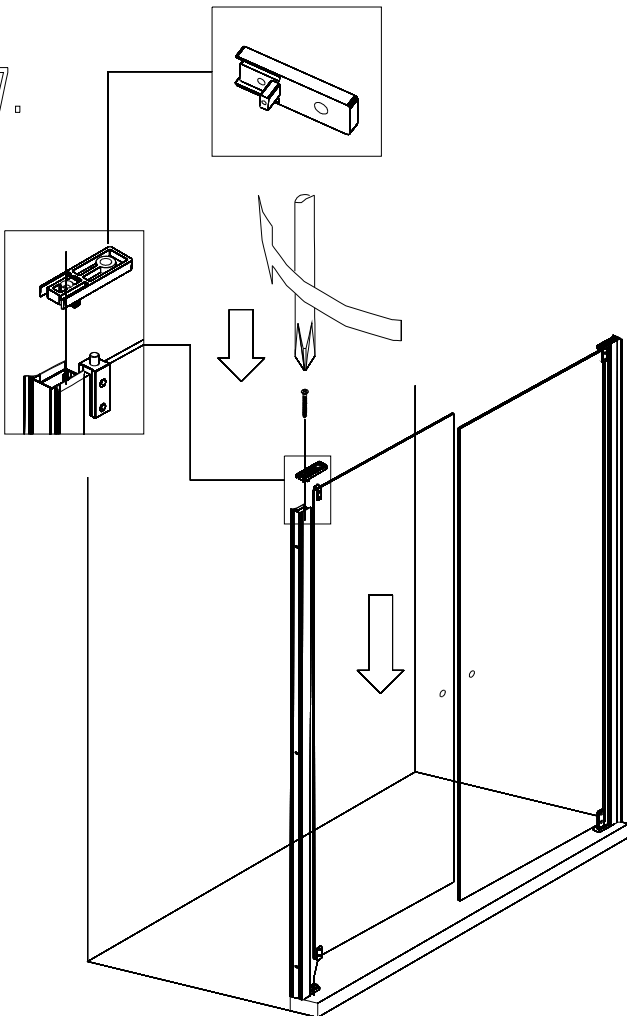
5.



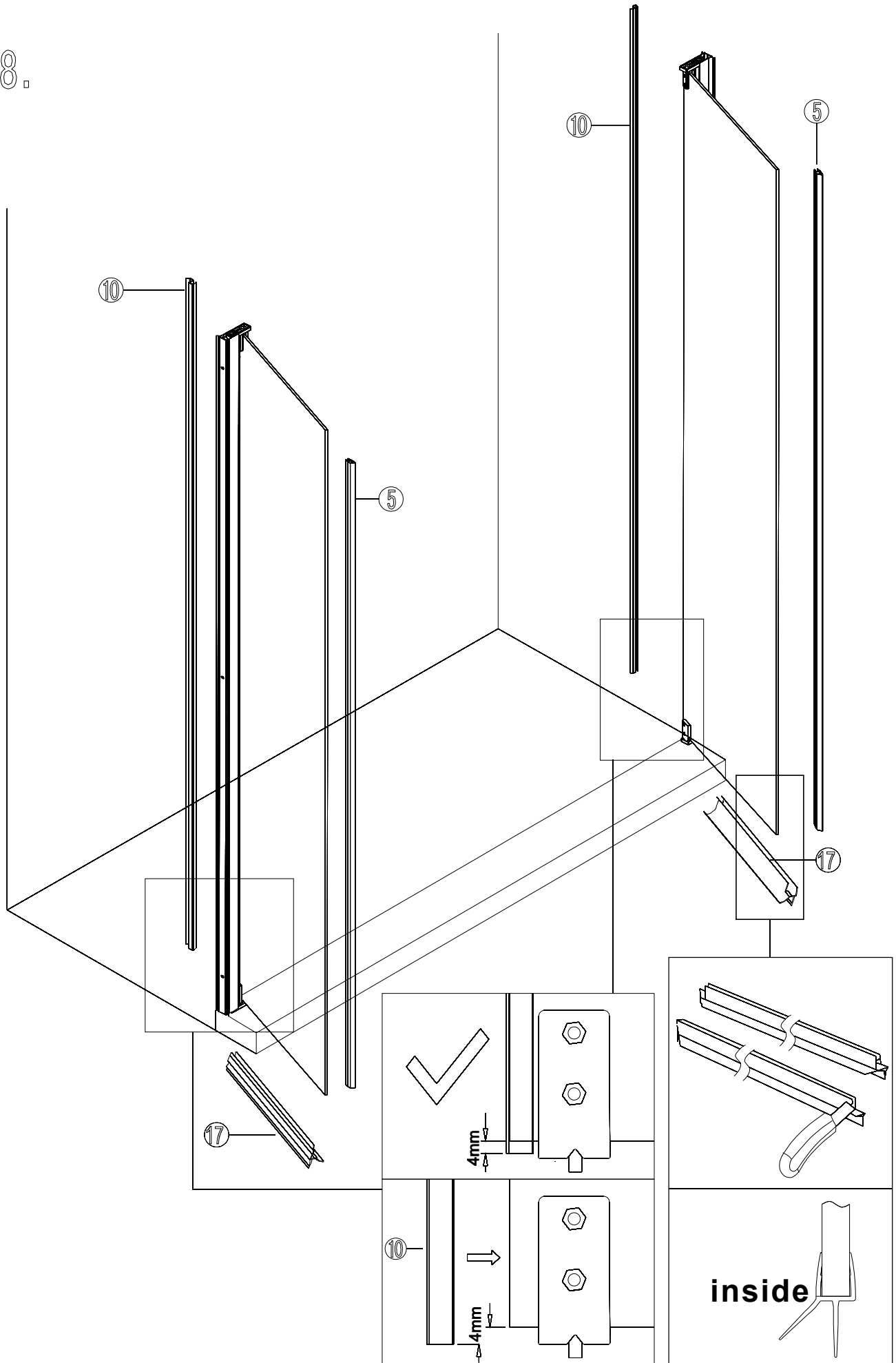
6.



7.

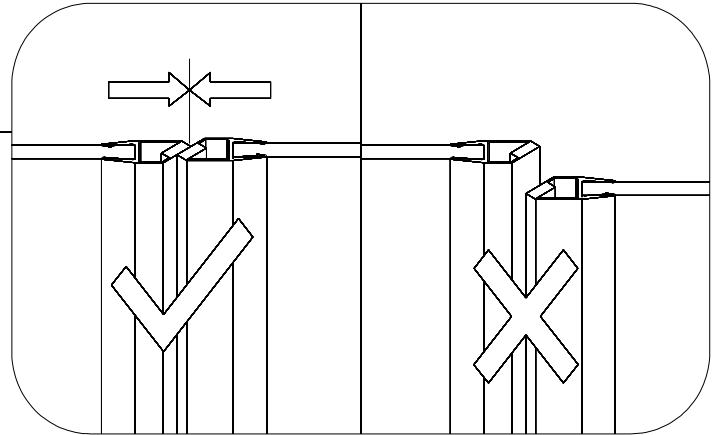
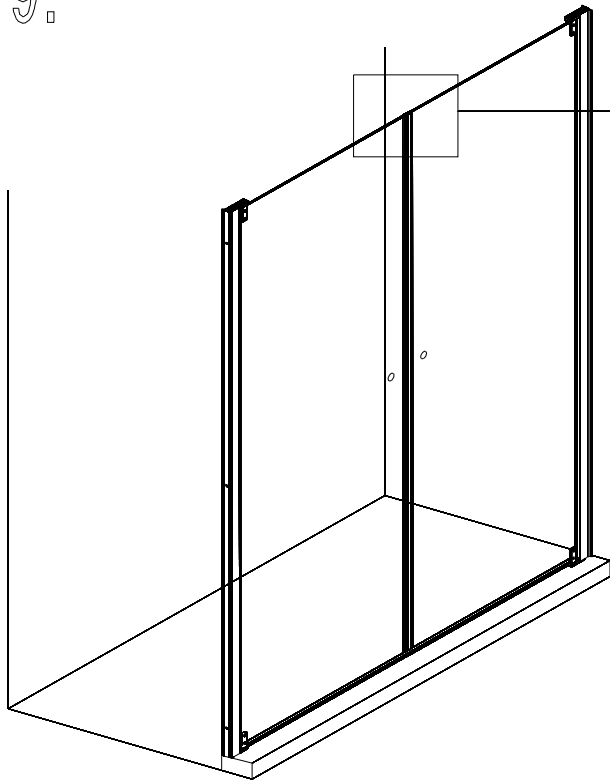


8.

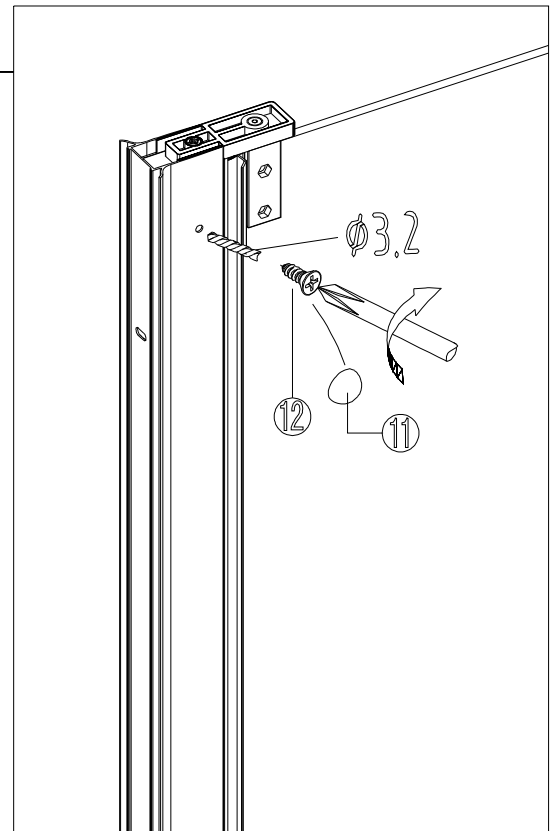
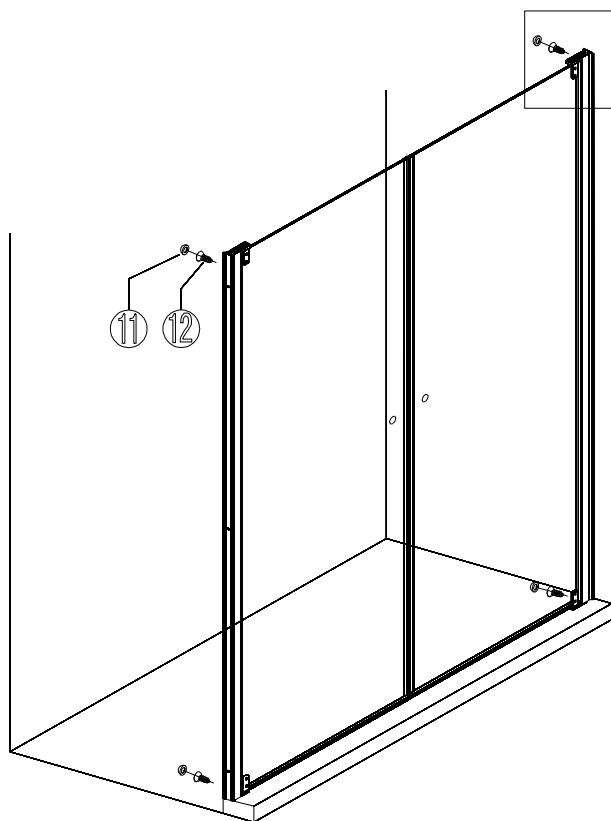




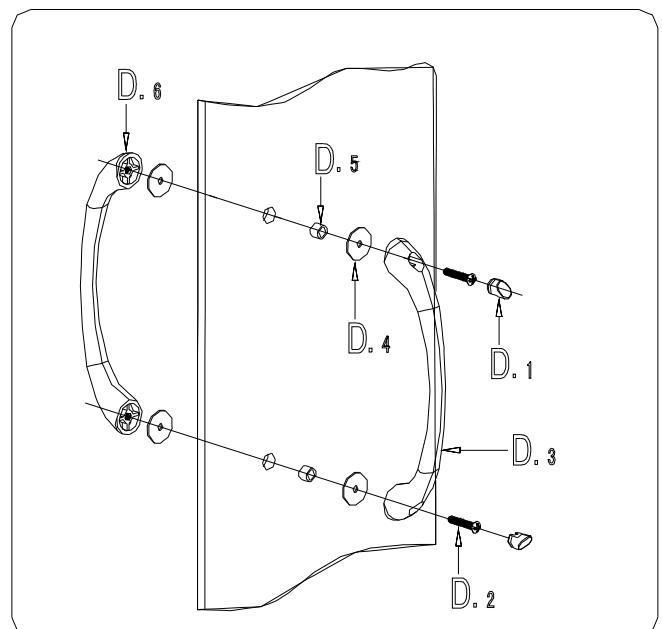
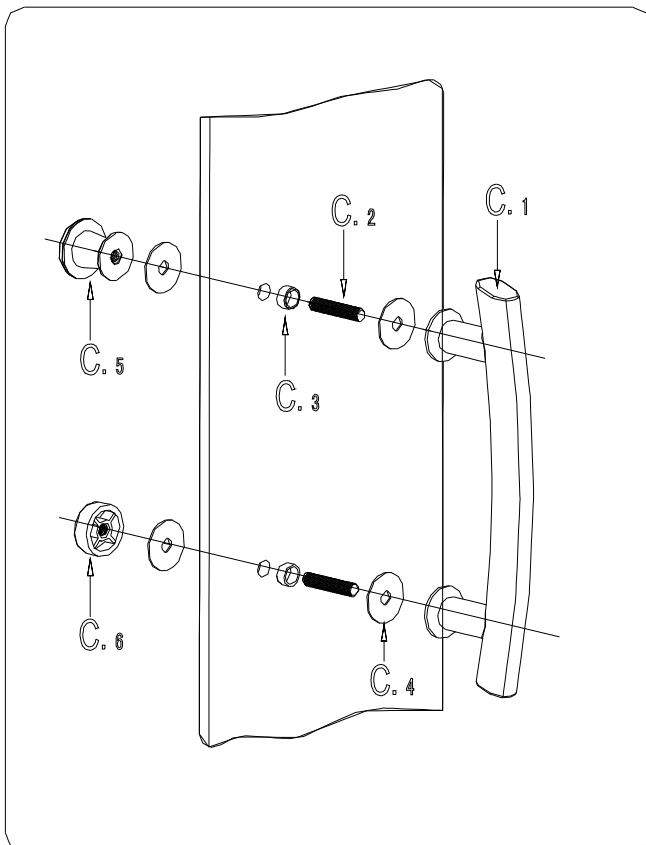
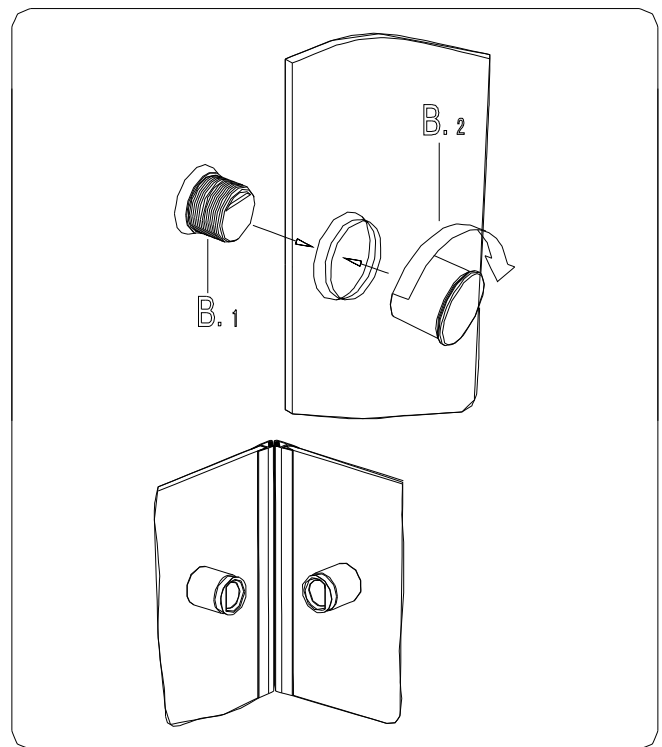
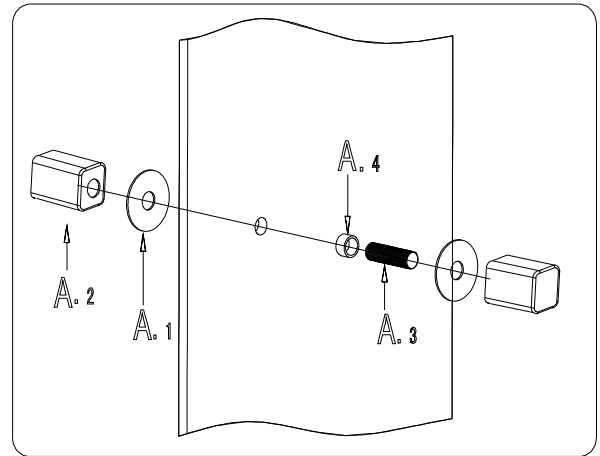
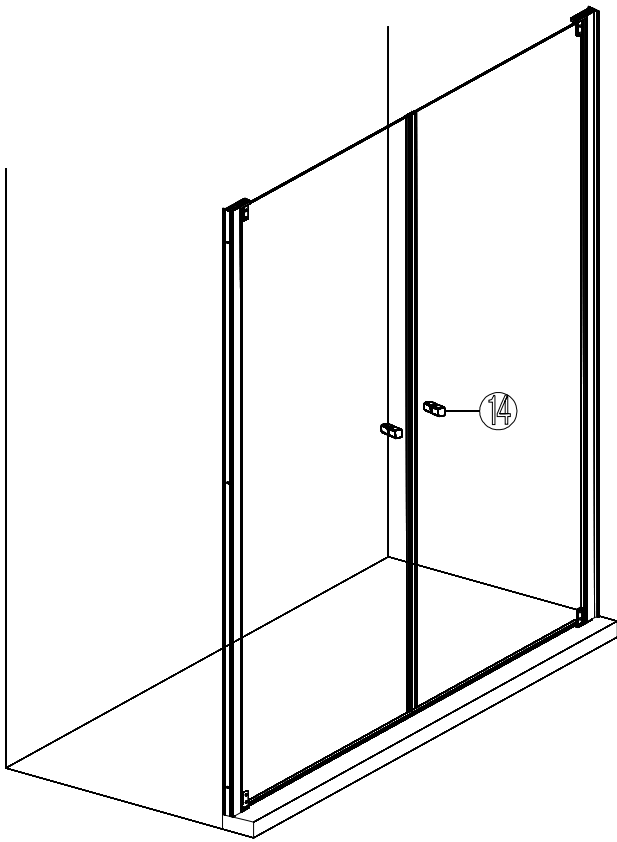
9.



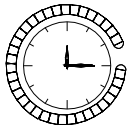
10.

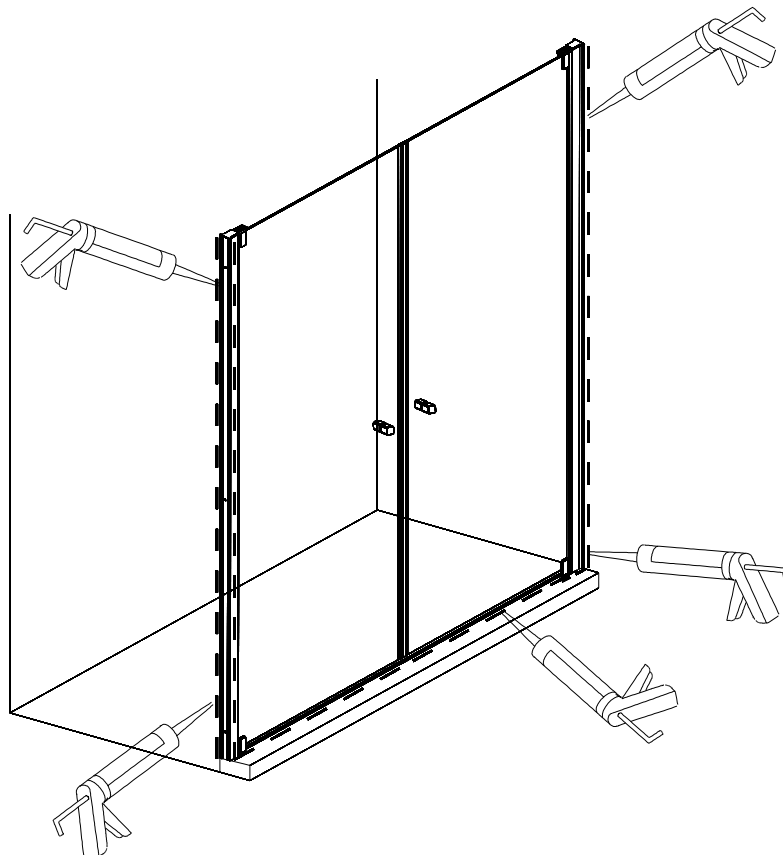
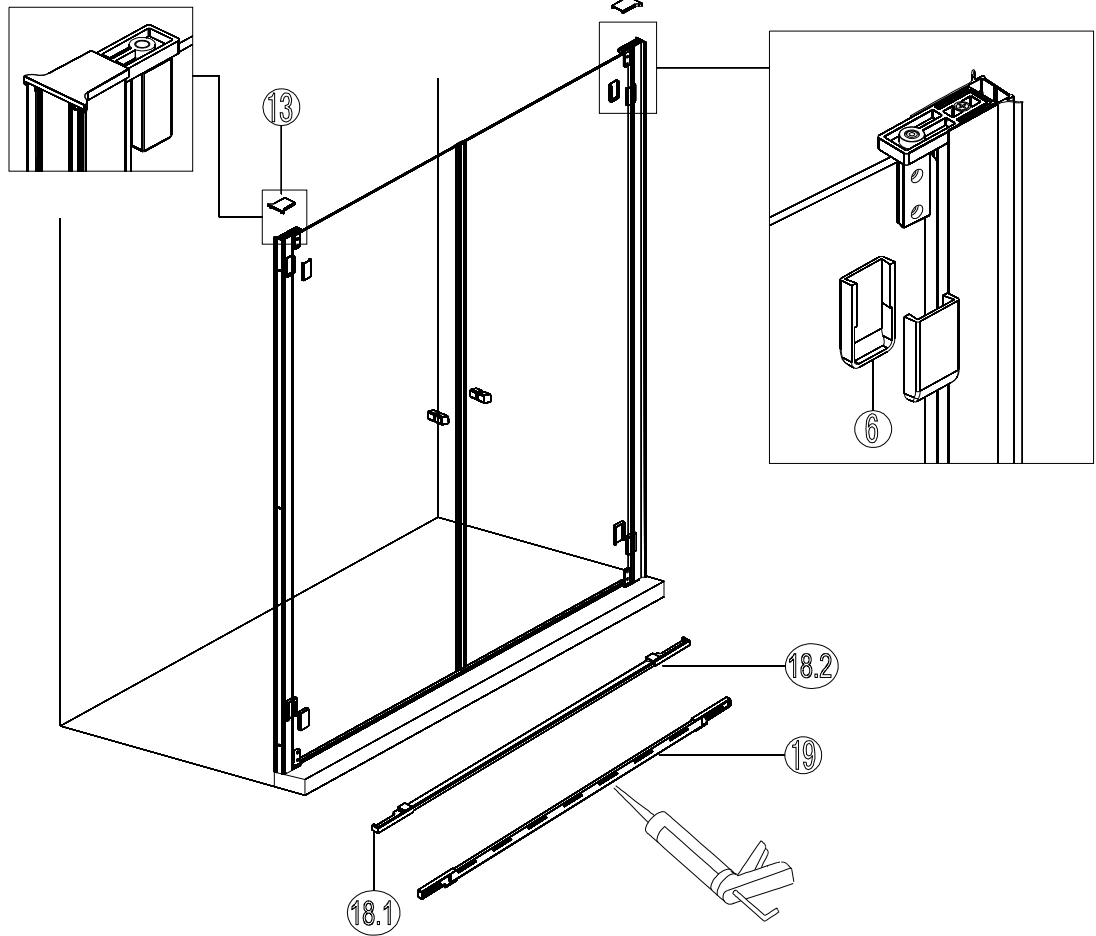


11.



12.

24h 



13.

